

*New*

CE

**DEBIMO AIR FLOW  
MEASURING BLADES**



- ..... 0.8165
- ..... 3 to 5 % ( , , )
- ..... extruded aluminium,  
galvanized steel fixing bracket, stainless steel screws.
- ..... maximum 210°C
- ..... 2 bars static (check with care the sensor used).
- ..... better than 0,3%.



■

,

( )

,

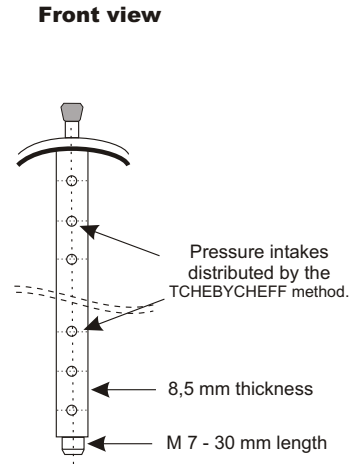
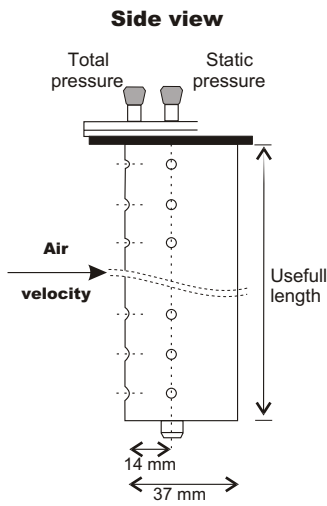
(dynamic pressure)  
(Bernoulli formula)  
(m/s), (m3/h)

(HVAC) ,

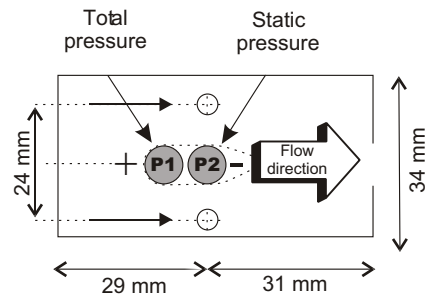
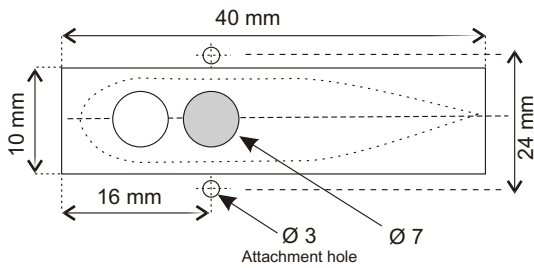
가 , ,

(Purge Mode) 가



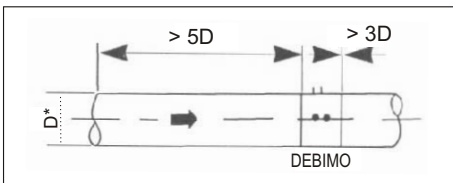


• **Fixing details**



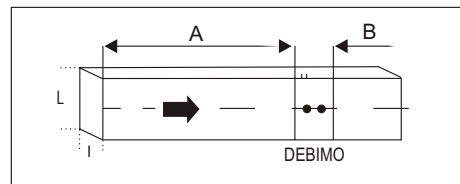
• **Necessary minimum straight length**

**Circular duct**



D = duct diameter in m.

**Rectangular duct**



$$A > 5 \times \sqrt{\frac{4 \times L \times I}{\pi}}$$

$$B > 3 \times \sqrt{\frac{4 \times L \times I}{\pi}}$$

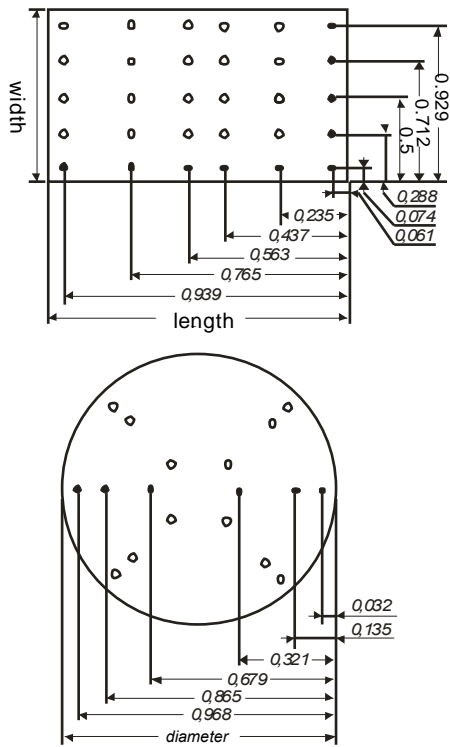
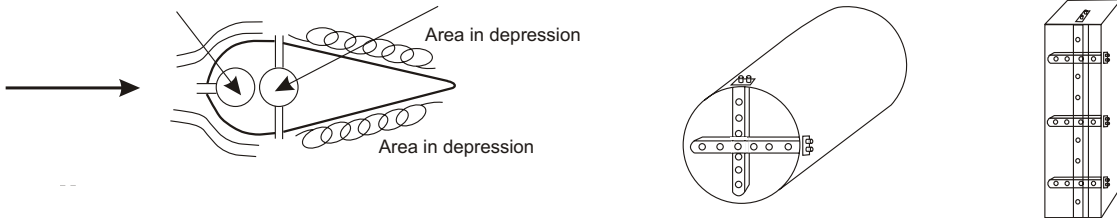
Ref.	Usefull length in mm
<b>DEBIMO 100</b>	100
<b>DEBIMO 125</b>	125
<b>DEBIMO 160</b>	160
<b>DEBIMO 200</b>	200
<b>DEBIMO 250</b>	250
<b>DEBIMO 315</b>	315
<b>DEBIMO 400</b>	400
<b>DEBIMO 500</b>	500
<b>DEBIMO 630</b>	630
<b>DEBIMO 800</b>	800
<b>DEBIMO 1000</b>	1000
<b>DEBIMO 1500</b>	1500
<b>DEBIMO 2000</b>	2000
<b>DEBIMO 2500</b>	2500
<b>DEBIMO 3000</b>	3000

Special dimension on demand (from 100 to 3000 mm).

\* ( ' ' )  
 \*  
 \* , (+)  
 \* 6 , (-)  
 \* ( )  
 \* (dynamic pressure) = (total pressure) - (static pressure)

$$Pd = Pt - Ps$$

**Schema**



(Pd) 가 mmH2O Pa (Bernoulli formula) :

\* Pa, 20

$$V \text{ (m/s)} = 1,291 \times \sqrt{Pd}$$

\* mmH2O, 20

$$V \text{ (m/s)} = 4,05 \times \sqrt{Pd}$$

\*

$$V \text{ (m/s)} = K \times \sqrt{\frac{574,2 \theta + 156842,77}{Po}} \times \sqrt{Pd}$$

- V = (m/s)
- Pd = ( )
- Po = (Pa)
- = ( )
- K =

- / /  
CP300  
CP210  
CP110



- / /  
AMI300  
MP200  
MP100



- /  
HP GF  
KX LU  
MG TJ  
TX



- Straight connection for Ø 5 x 8 tube.  
T-connection for Ø 5 x 8 tube.  
Y-connection for Ø 5 x 8 tube.



- 7 x 5mm ( / )  
7 x 5mm ( )  
6 x 4mm ( )

